



Oasis Irrigation Equipment Company Limited  
The "Rain Maker"

Oasis Irrigation Equipment Co Ltd, P-6, Scheme-VI, M(S), C.I.T, Kolkata-700054  
Phone: +91-3323648812 Email: [info@oasisirrigation.in](mailto:info@oasisirrigation.in) / [oasi\\_821509@bsnl.in](mailto:oasi_821509@bsnl.in)  
Website: [www.oasisirrigation.in](http://www.oasisirrigation.in)



## RAIN GUN MODEL - OS38 PART/FULL CIRCLE

- Body and Swing Arm made of Die Cast Aluminium Alloy
- Twin Nozzle
- Nozzle Sizes 14/16/18 X 4mm
- Female 1 1/2" BSP connection Brass
- Female 2" BSP connection Brass

### FEATURES

- Available in 1 1/2" & 2" BSP Female Thread Connection
- Adjustments available for Part Circle & Full Circle
- Adjustable Jet breaker to provide uniform rainfall
- Equipped with nozzles of different sizes for various applications
- Trajectory angle 30°

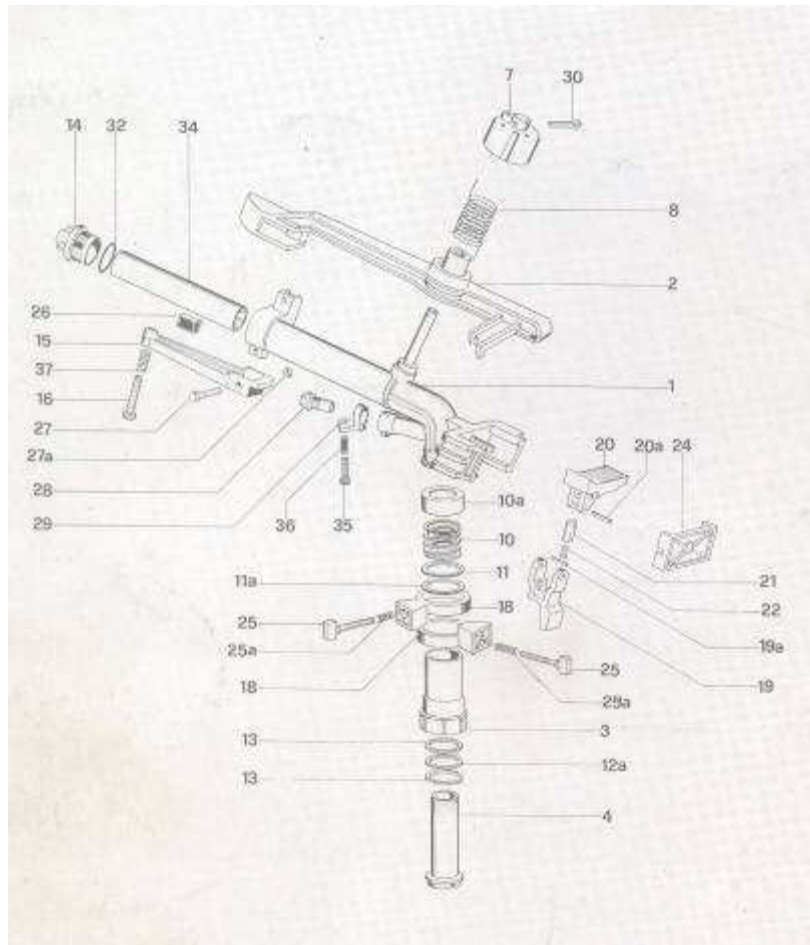
### APPLICATION

- Field Crop - Sugarcane, Ground Nut, Maize, Wheat, Grams & Pulses

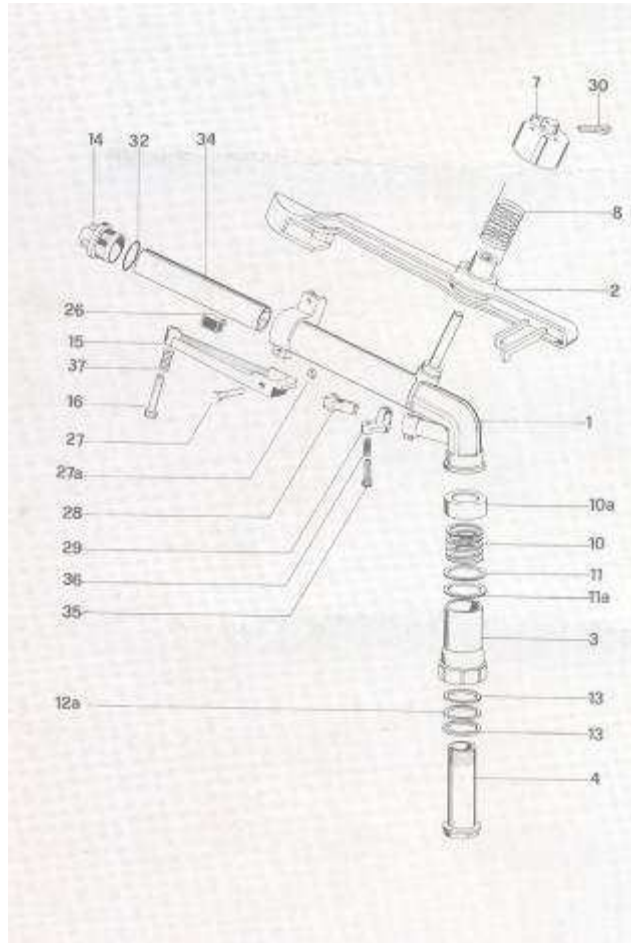
Oasis Irrigation Equipment Co Ltd, P-6, Scheme-VI, M(S), C.I.T, Kolkata-700054  
Phone: +91-3323648812 Email: [info@oasisirrigation.in](mailto:info@oasisirrigation.in) / [oasi\\_821509@bsnl.in](mailto:oasi_821509@bsnl.in)

- Tea estates & Coffee plantation
- Dust Suppression, Green Pastures
- Landscaping

<b>(Under no wind condition)</b>									
<b>Nozzle</b>	<b>Pressure</b>	<b>Radius of</b>	<b>Flow per</b>	<b>Rainfall</b>	<b>Single Sprinkler</b>		<b>Square Pattern</b>		
					<b>Irrigated</b>	<b>Rainfall</b>	<b>Distance</b>	<b>Irrigated</b>	<b>Rainfall</b>
<b>Diameter</b>	<b>(Kg/Cm<sup>2</sup>)</b>	<b>Spray</b>	<b>minute</b>	<b>per hour</b>	<b>Area</b>	<b>per hour</b>	<b>(Mtrs)</b>	<b>Area</b>	<b>per hour</b>
<b>(MM)</b>		<b>(Mtrs)</b>	<b>(Litres)</b>	<b>(mm<sup>3</sup>/hr)</b>	<b>(Sq Mtrs)</b>	<b>(mm/h)</b>		<b>(Sq Mtrs)</b>	<b>(mm/h)</b>
14x5	2	21.0	195	11.7	1384	8.4	29.0	841	13.9
14x5	3	25.0	239	14.3	1962	7.3	35.0	1225	11.7
14x5	4	29.0	277	16.6	3640	6.3	41.0	1681	10.0
14x5	5	31.0	309	18.5	3017	6.1	43.0	1849	10.0
16x5	2	22.0	247	14.8	1519	9.7	31.0	961	15.4
16x5	3	26.0	303	18.2	2123	8.6	36.0	1296	14.0
16x5	4	30.0	351	21.0	2826	7.5	42.0	1764	11.9
16x5	5	33.0	391	23.4	3419	6.9	46.0	2116	11.0
18x4	2	28.0	378	22.7	2461	9.2	39.0	1521	14.9
18x4	3	31.0	436	26.2	3017	8.7	43.0	1849	14.1
18x4	4	34.0	487	29.2	3629	8.1	48.0	2304	12.7
18x4	5	36.0	533	31.9	4069	7.9	51.0	2601	12.3



Exploded View of OS 38 Part Circle Sprinkler



Exploded View of OS 38 Full Circle Sprinkler